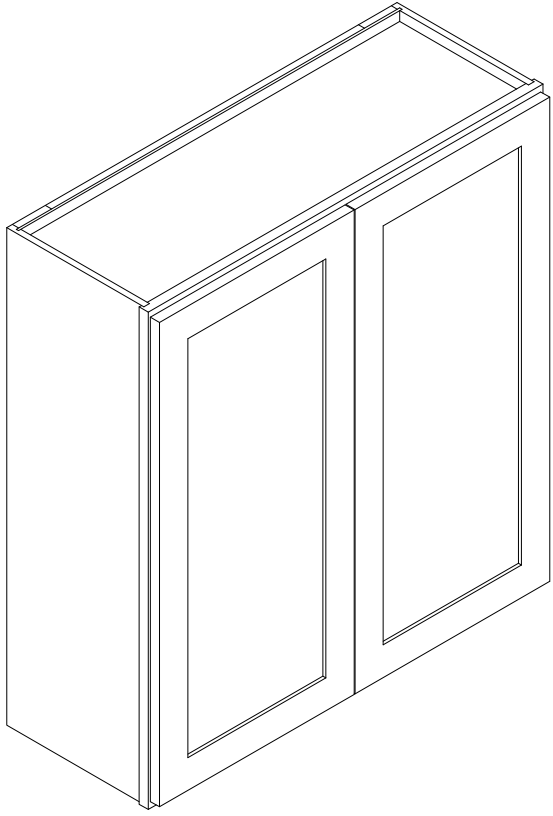


ASSEMBLY INSTRUCTIONS

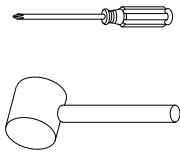
W2436/W2736/W3036/W3336



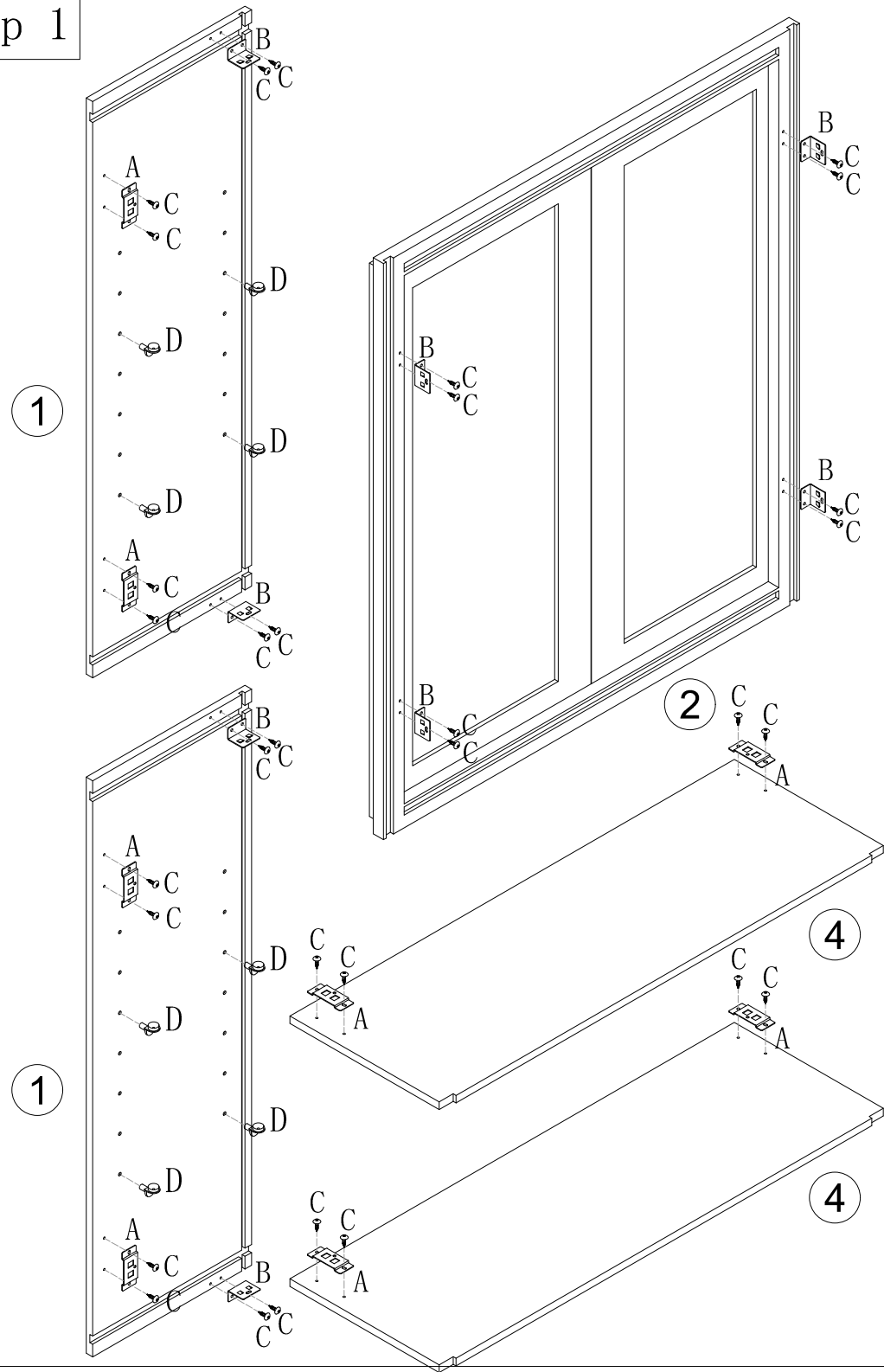
Parts list

NO.	Parts	QTY
A		8
B		8
C		40
D		8
E		2

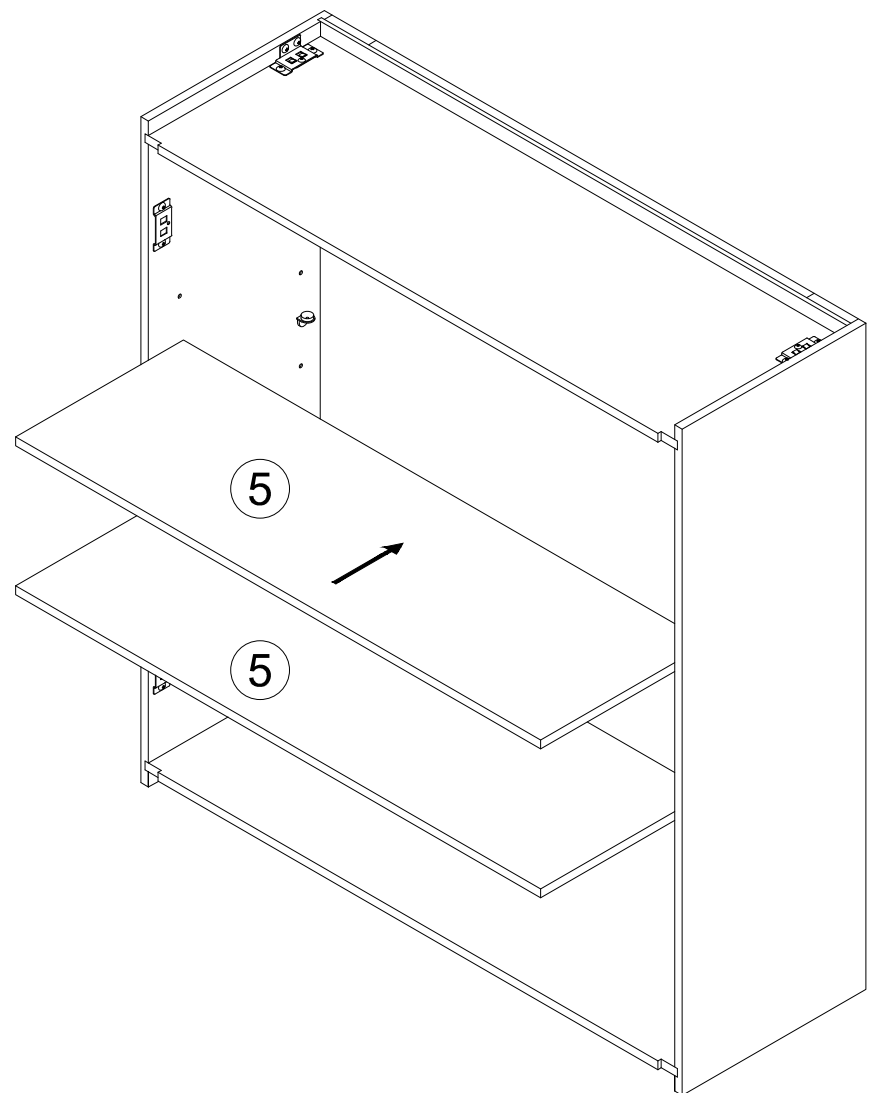
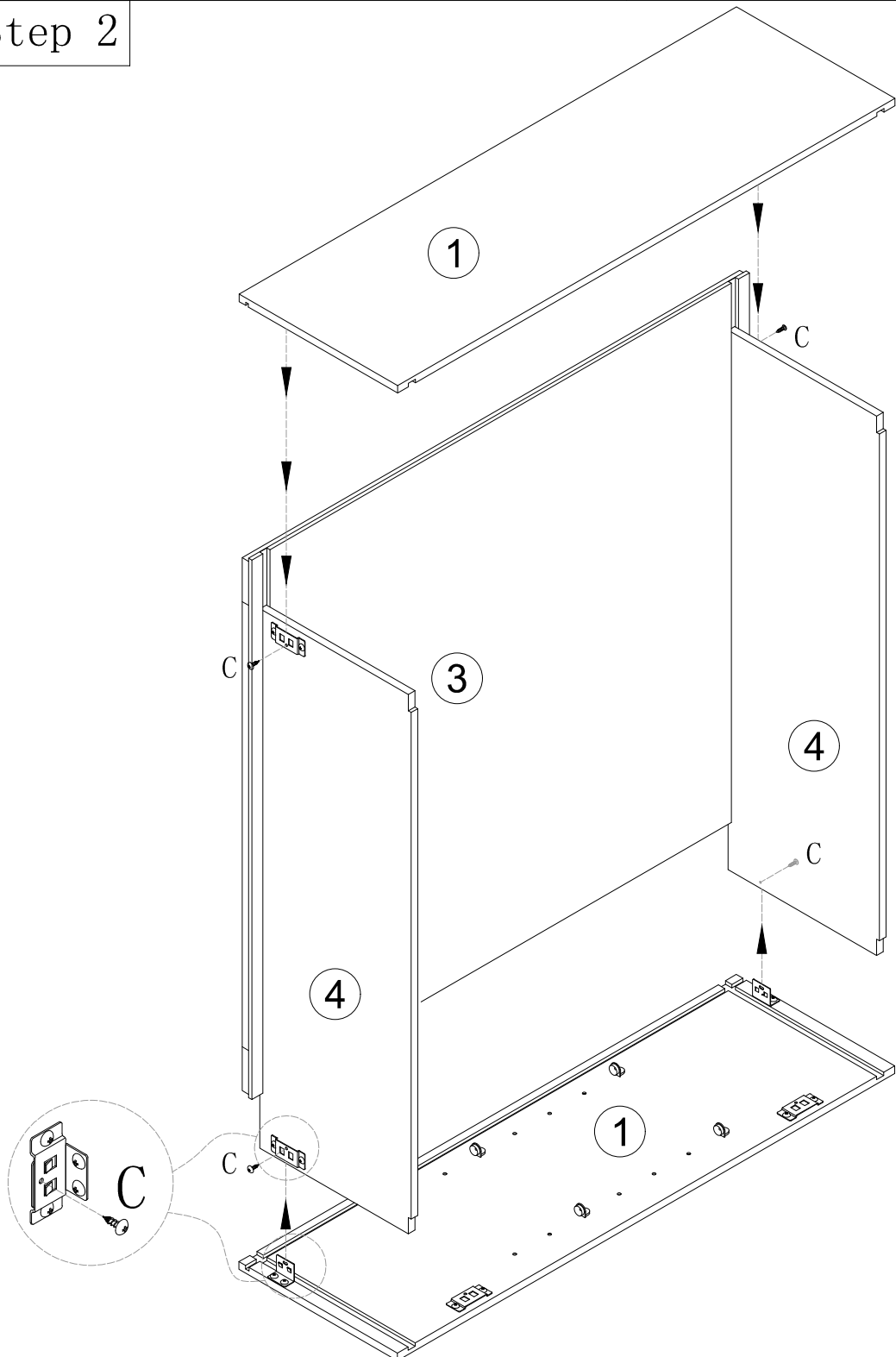
Tools (required but not provided)



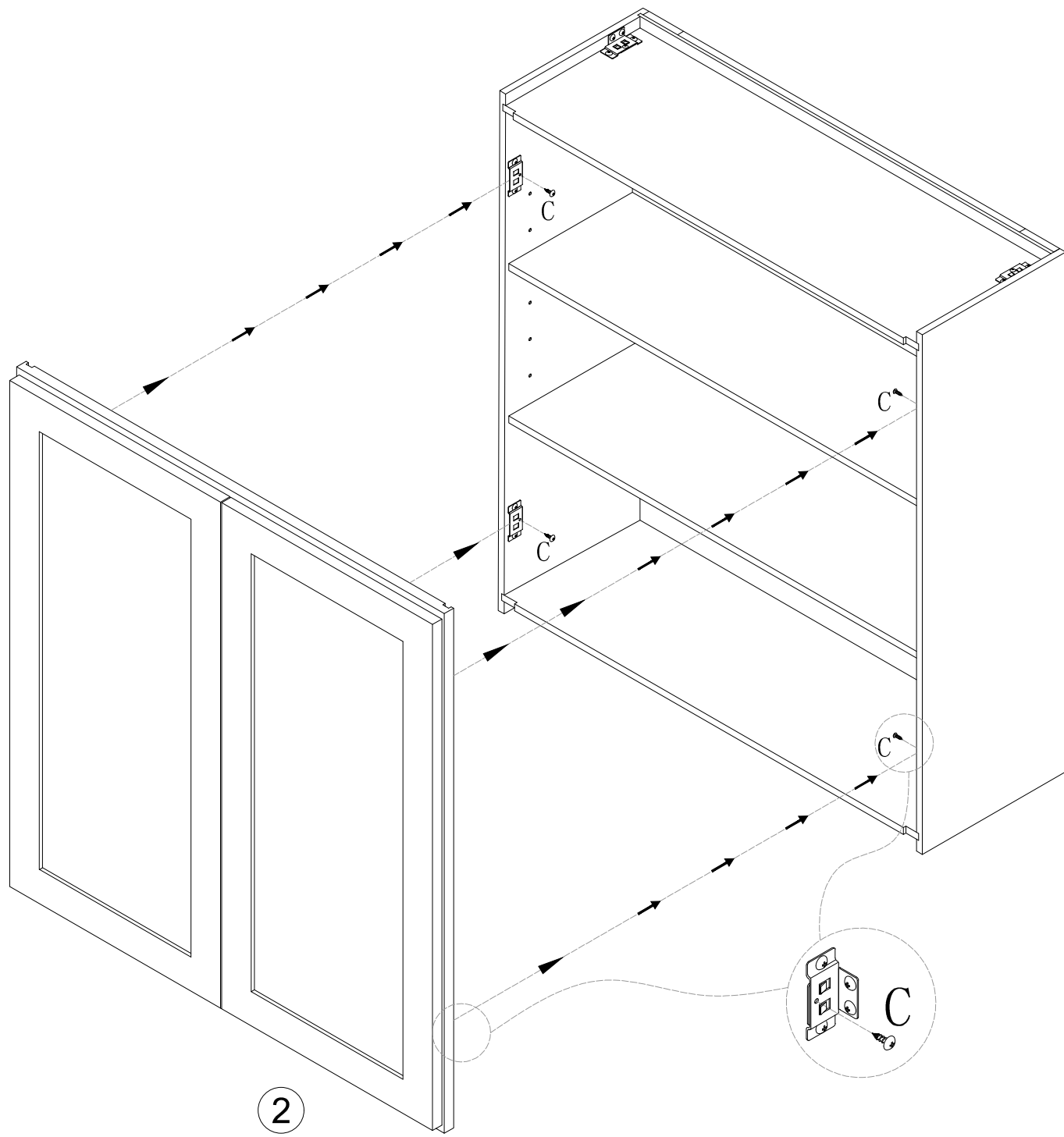
Step 1



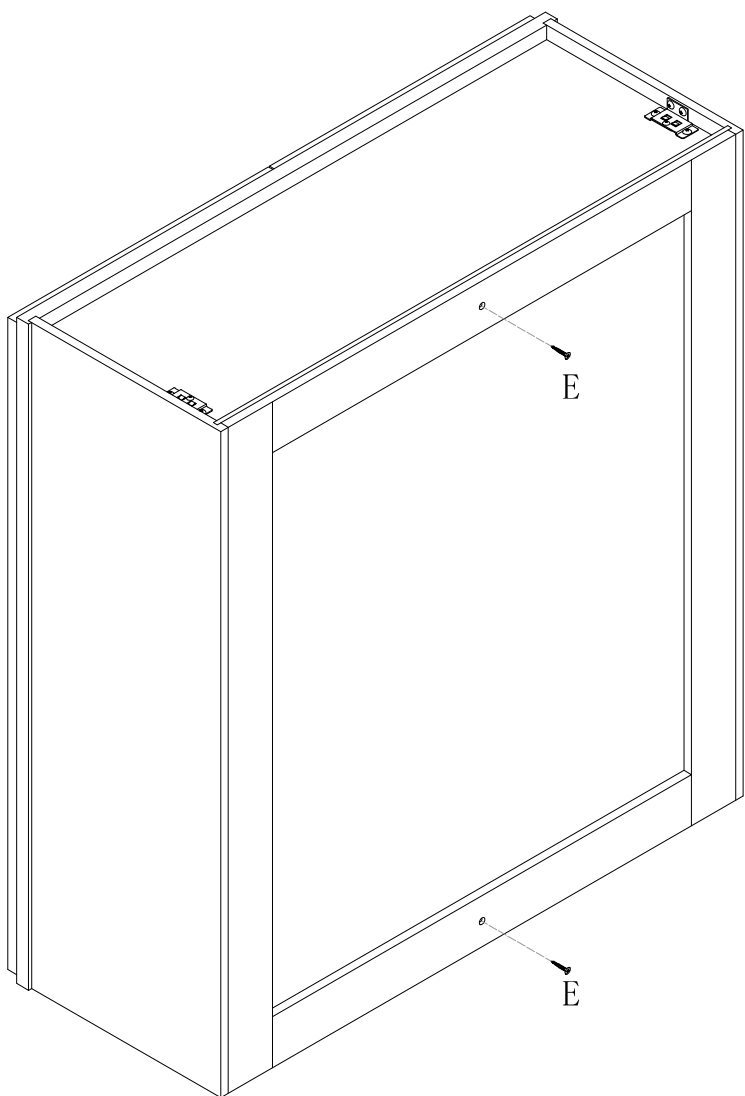
Step 2



Step 3



Step 4



Finished

